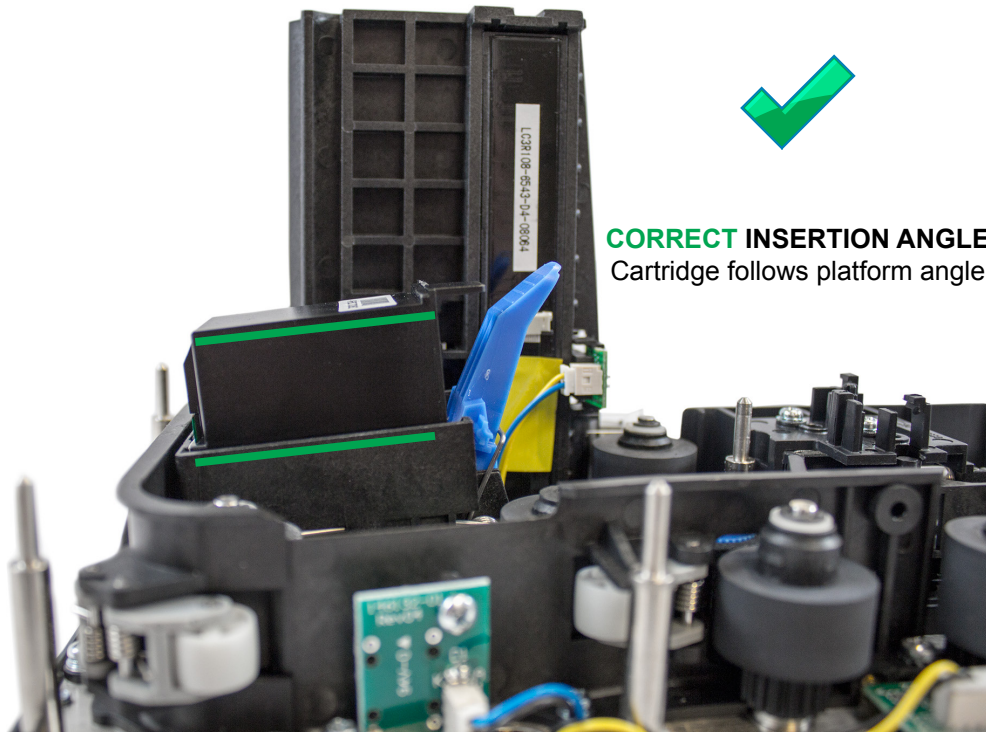
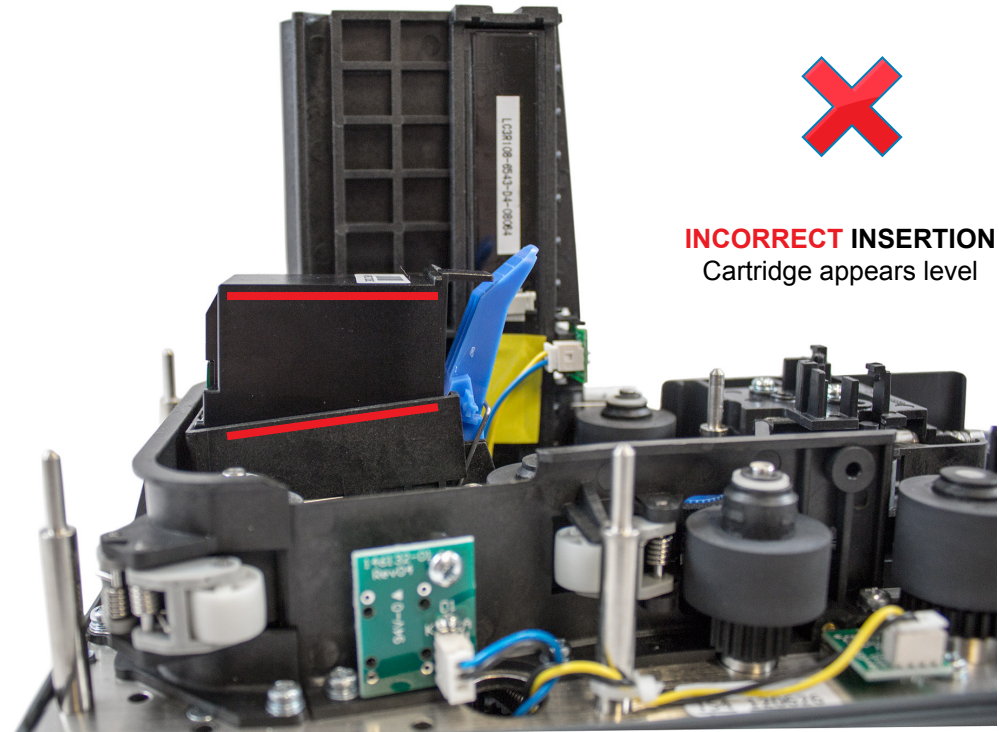


Correctly Installed Ink Cartridge



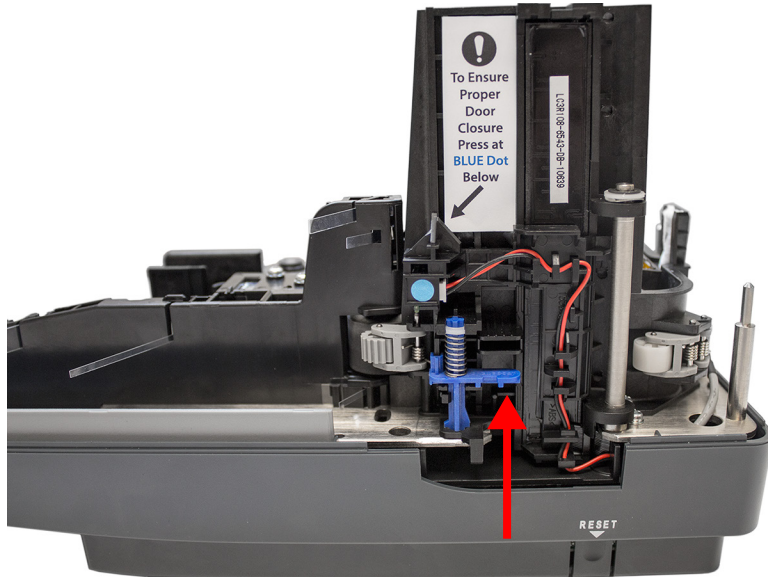
CORRECT INSERTION ANGLE
Cartridge follows platform angle

Incorrectly Installed Ink Cartridge

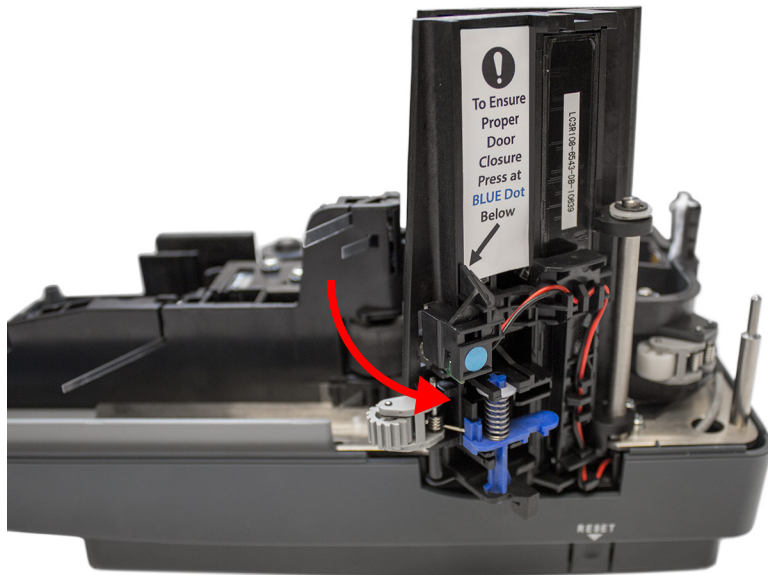


INCORRECT INSERTION
Cartridge appears level

Opening the Camera Door

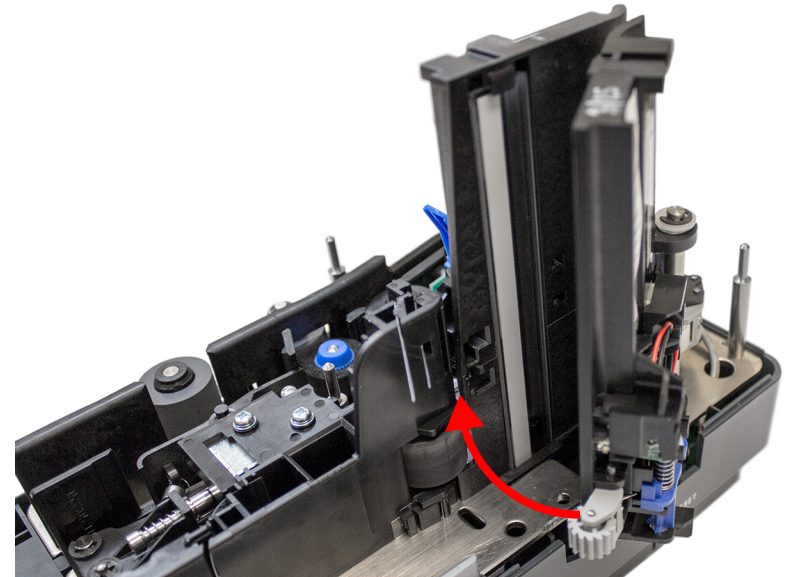


Lift up on the tab of the blue door latch to unlock the camera door assembly.



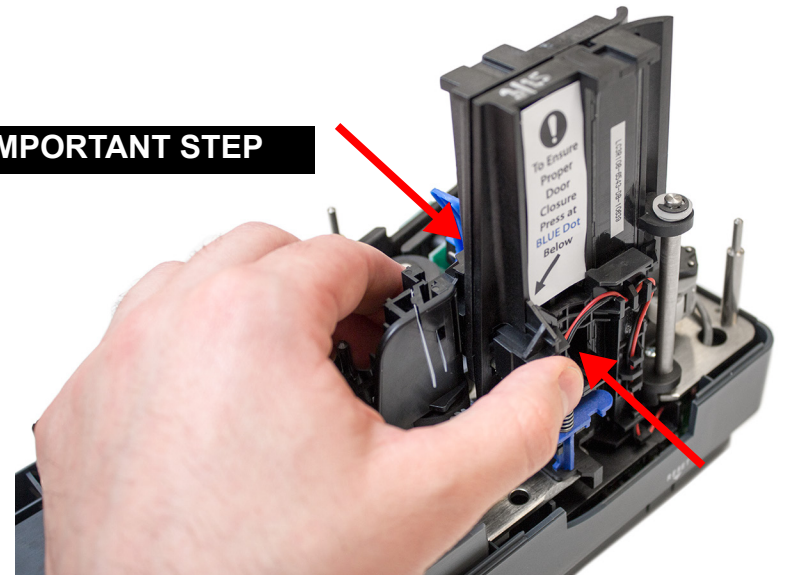
The camera door can swing open once the blue door latch is unlocked.

Closing the Camera Door



Close the camera door by swinging it back into its original position.

IMPORTANT STEP



Lock the camera door by pinching the lower part of the camera assembly together. Press on the area of the door that has the blue dot. The camera door will 'click' into place and should not move or feel loose.